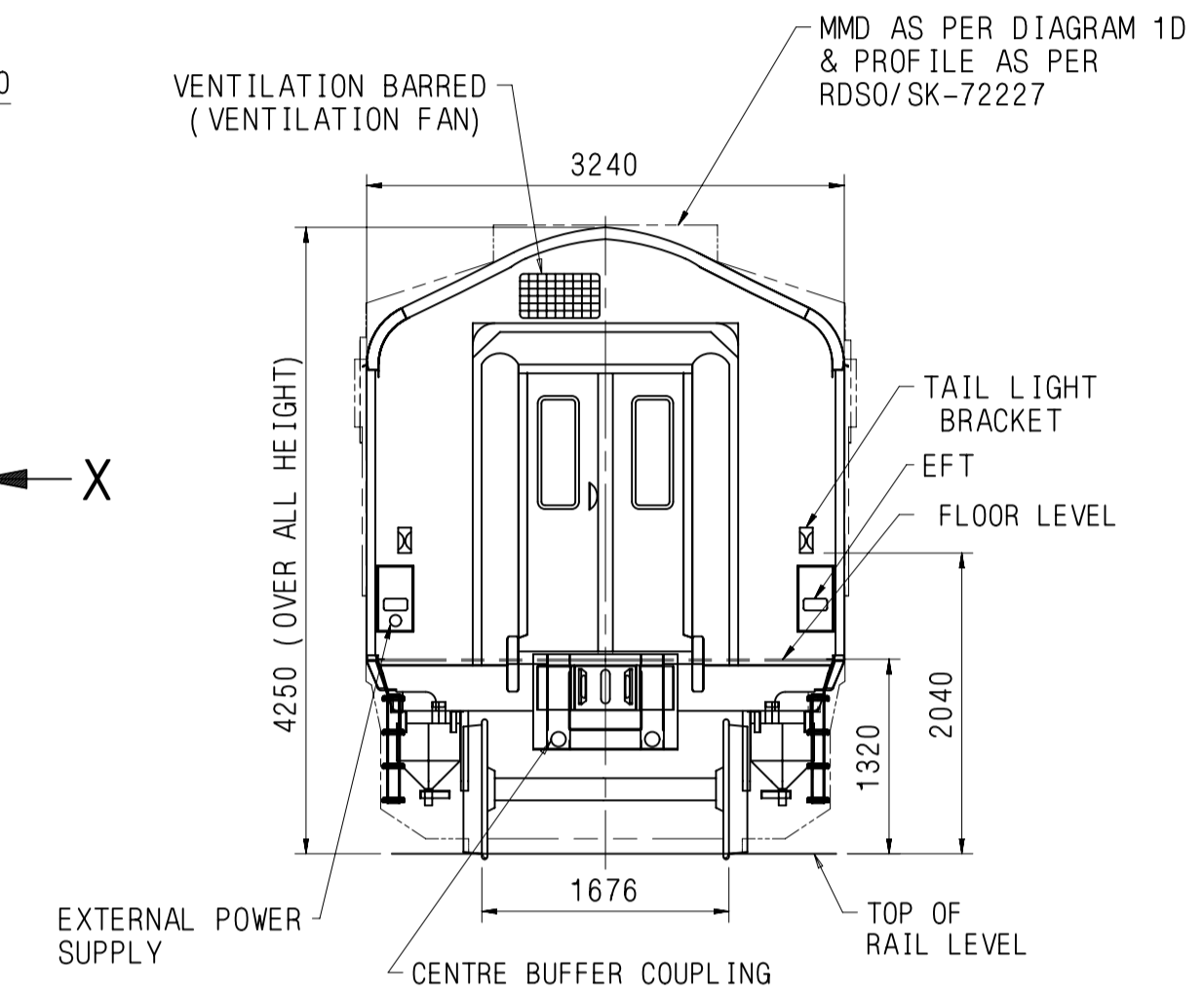
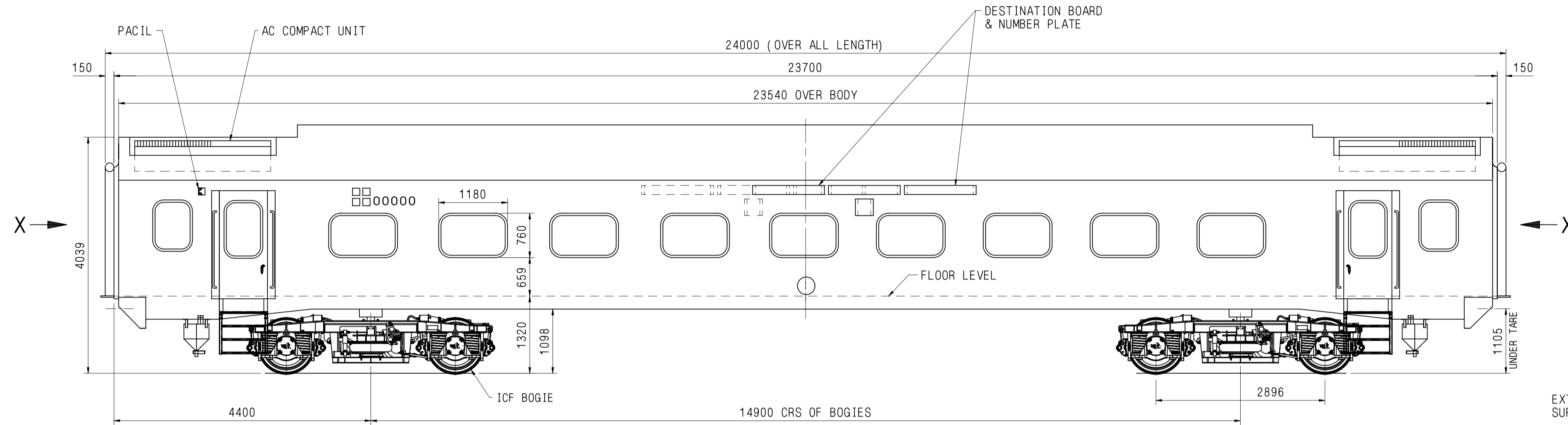


# R.D.S.O. CARRIAGE DIRECTORATE

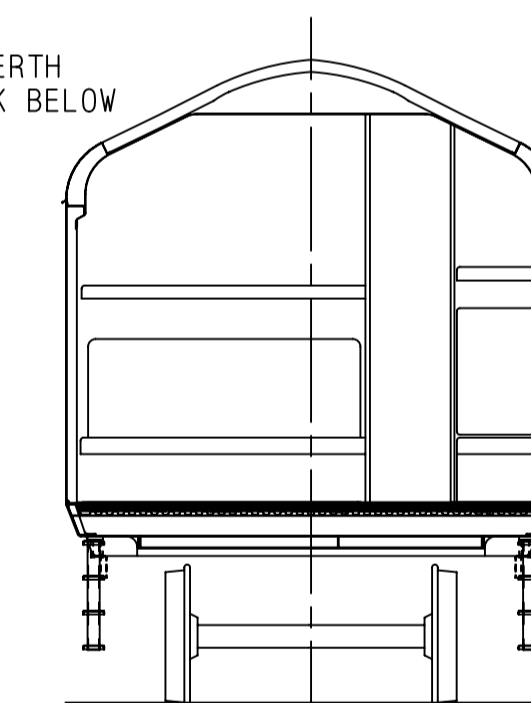
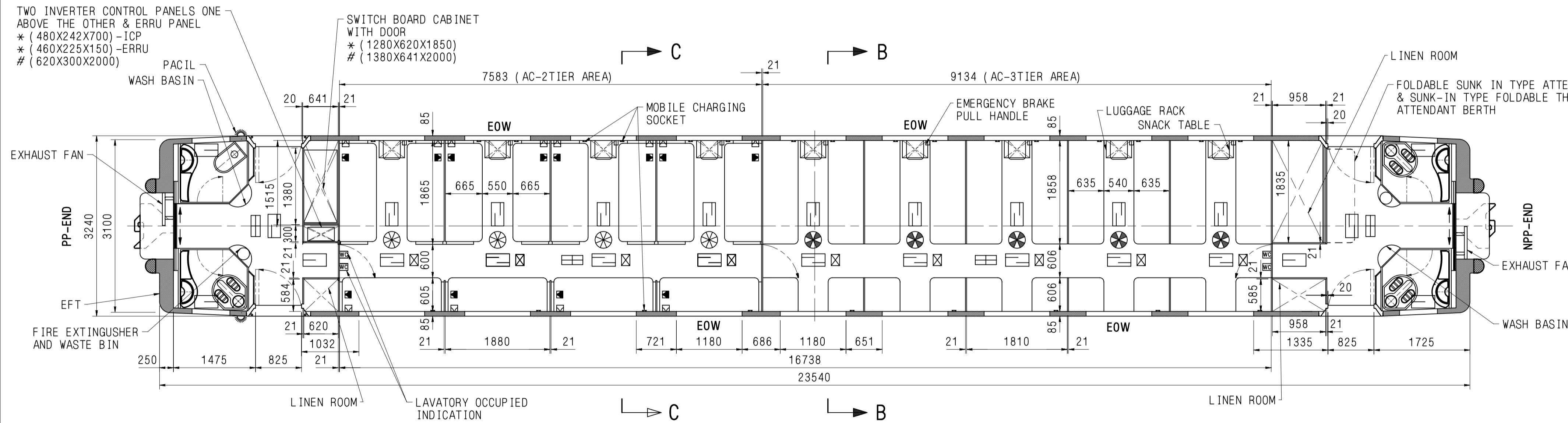
SHEET No. -92

1. NO. OF PASSENGERS TO SEAT/SLEEP
  - AC-2 TIER ----- 24
  - AC-3 TIER ----- 40
2. NO. OF LAVATORIES ----- 04

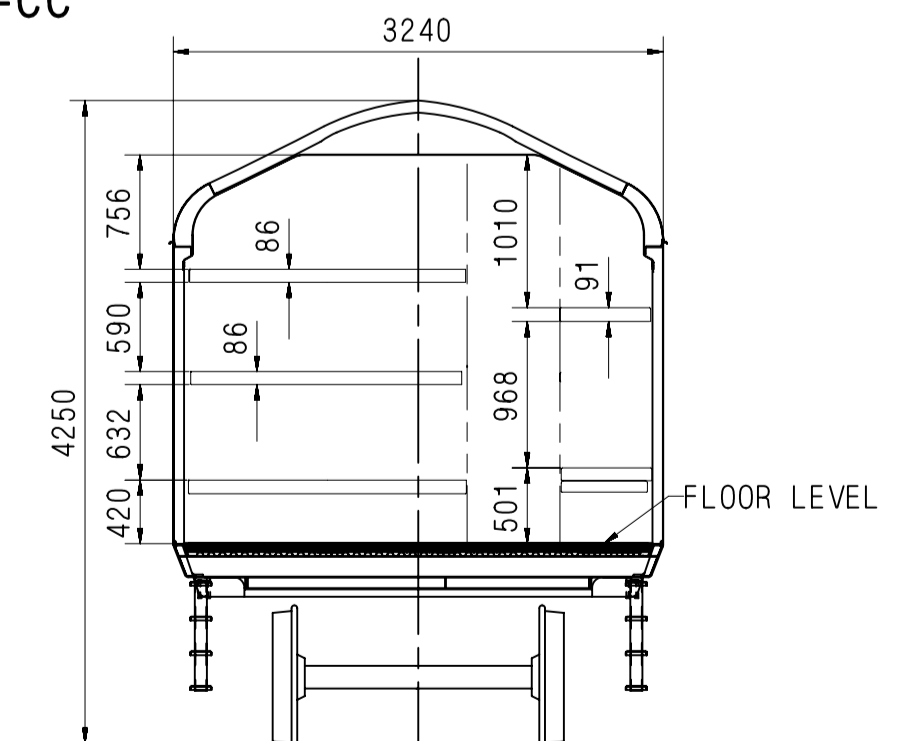
NOTE: -  
1. EXTERIOR MARKING TO DRG. NO. CSC-1727.



VIEW FROM-X



SECTION-CC



SECTION-BB

APPROVED VIDE LETTER NO. 2007/M(C)/202/1  
DATED 21/01/09[RDSO FILE MC/LC/LHB, S. NO. 11]

DRAWN BY		CODE		
CHECKED BY	LAYOUT OF COMPOSITE (SG) COACH(AC-2TIER + AC-3TIER) WITH SBC (LHB SHELL ON ICF BOGIES WITH AIR SPRING)	SWG CWNAC	B.G.	CSC-1757
APPROVED BY				