

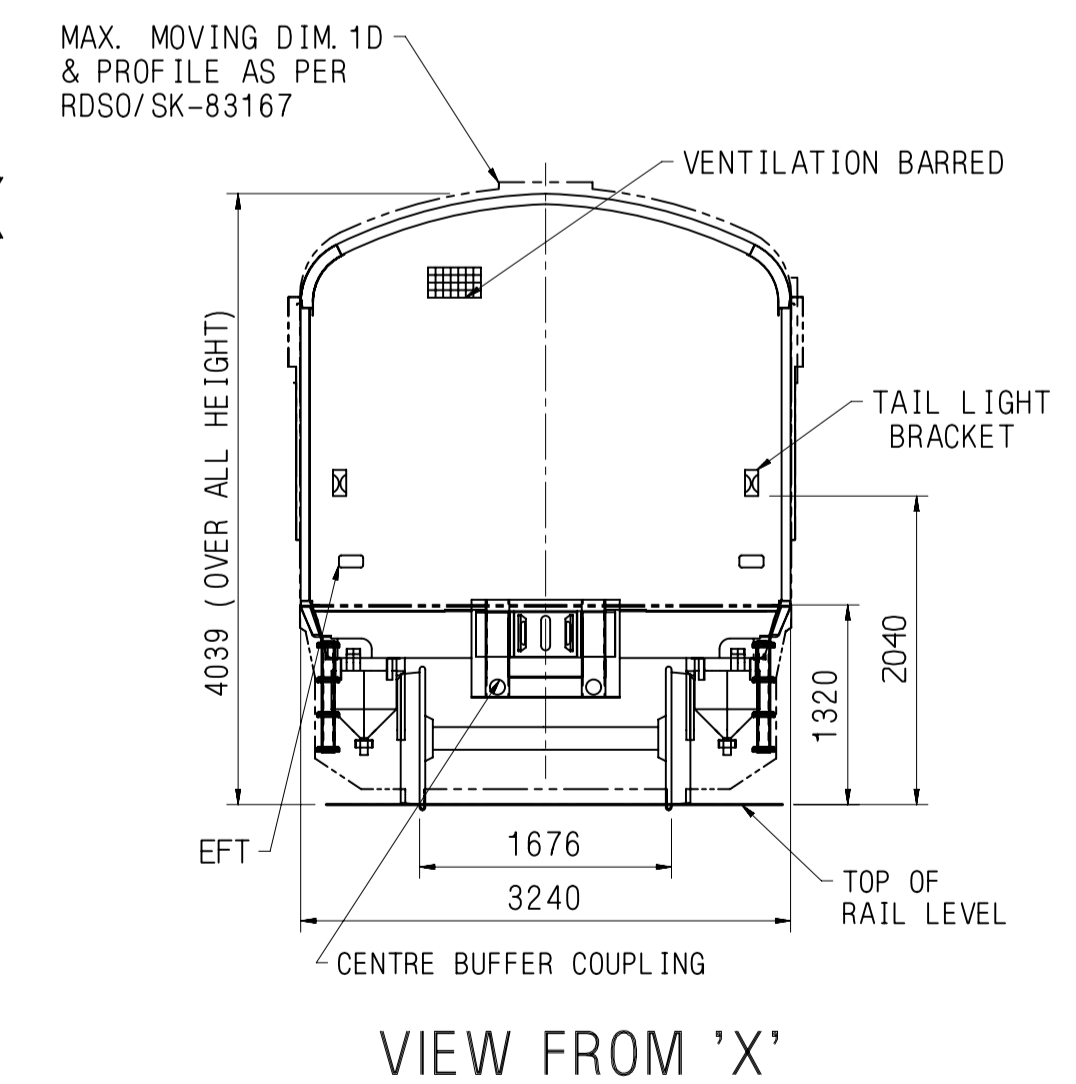
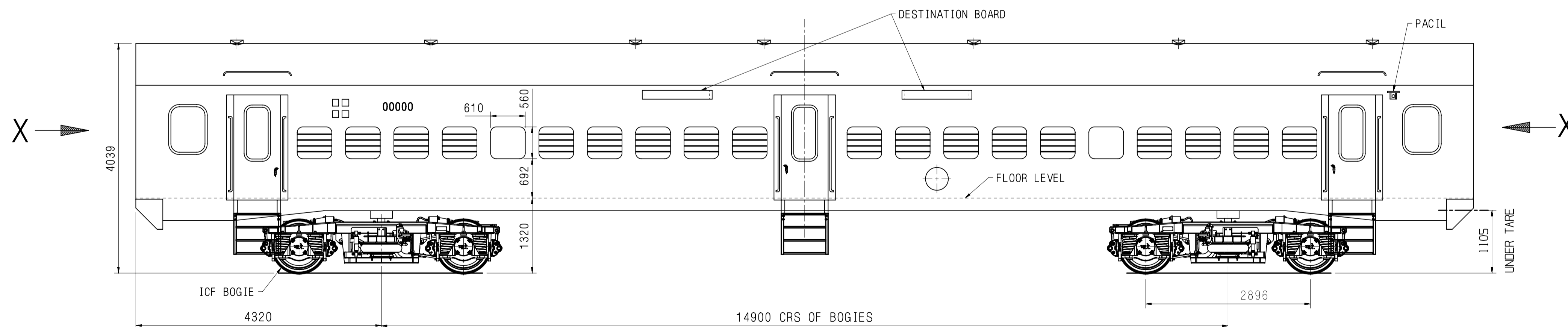
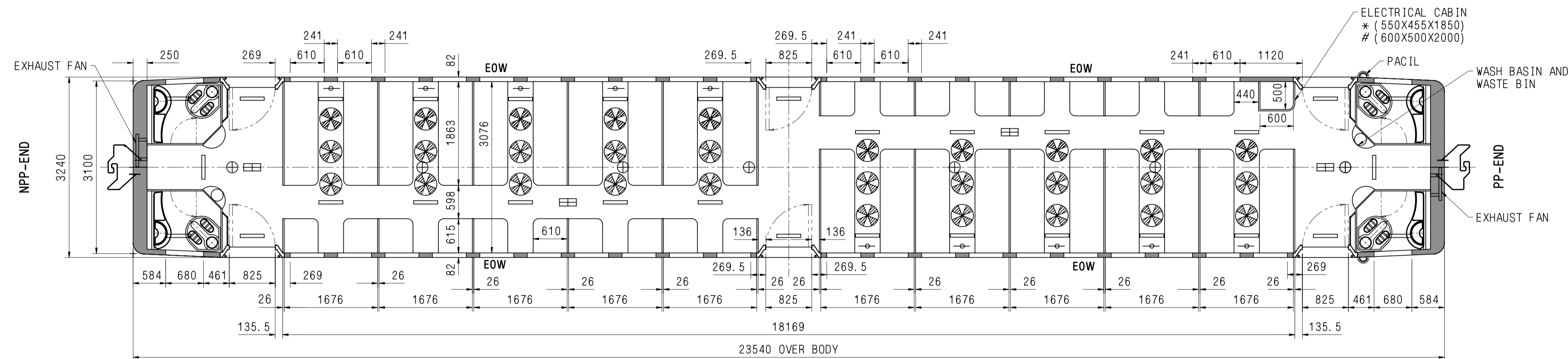
# R.D.S.O. CARRIAGE DIRECTORATE

SHEET No. -97

NO. OF PASSENGERS TO SEAT	-99
NO. OF DOOR ASIDE	-03
NO. OF LAVATORIES	-04
NO. OF EMERGENCY OPENABLE WINDOWS	-04

NOTE :-

1. EXTERIOR MARKING TO DRG. NO. CSC-1727.



APPROVED VIDE LETTER NO.2007/M(C)/202/1  
DATED 21/01/09 (RDSO FILE MC/LC/LHB, S.NO.111)

DRAWN BY  
CHECKED BY  
APPROVED BY

## LAYOUT OF GS COACH (LHB SHELL ON ICF BOGIES WITH AIR SPRING)

CODE  
SGS

B.G.

CSC-1763